

Toyota 4Cyl 1Coil 5V Mag

Harness Required: E11 Ver 1.0 & E04 Ver 1.0

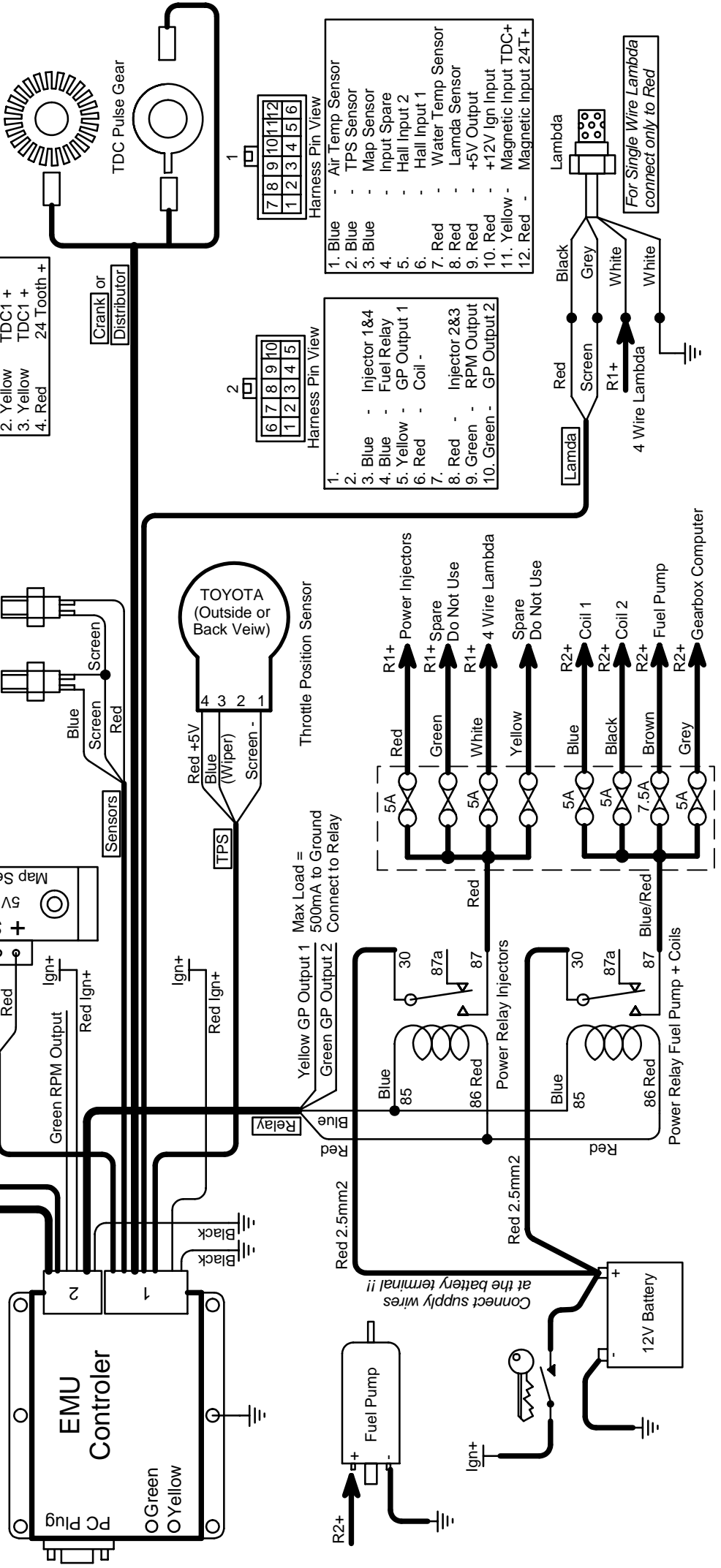
Last Changed: 15/07/2008

Drawing Ver: 1.0

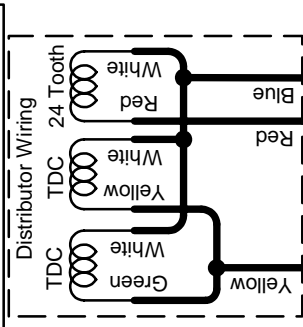
Ign+ Ignition Power
Earth

Terminal Connections with the same name are tied together

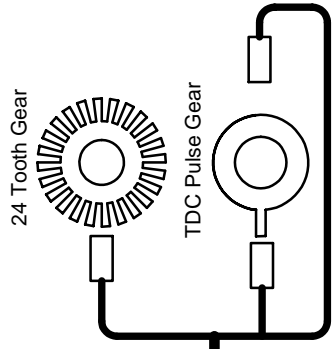
Led's Functions
Yellow - Power
Green - RPM Pulse



Harness	Distributor	Description
1. Red	Red	24 Tooth +
2. Yellow	Green & Yellow	2 x TDC +
3. Blue	White x 3	3 x Induct. -



Harness	Description
1. Blue	Common
2. Yellow	TDC1 +
3. Yellow	TDC1 +
4. Red	24 Tooth +



Harness Pin View	
6	7
7	8
8	9
9	10
10	11
11	12
12	3
3	4
4	5
5	6

1. Blue	-	Air Temp Sensor
2. Blue	-	TPS Sensor
3. Blue	-	Map Sensor
4.	-	Input Spare
5.	-	Hall Input 2
6.	-	Hall Input 1
7. Red	-	Water Temp Sensor
8. Red	-	Lambda Sensor
9. Red	-	+5V Output
10. Red	-	+12V Ign Input
11. Yellow	-	Magnetic Input TDC+
12. Red	-	Magnetic Input 24T+

